


Version	2.0	Date	7/24/23
Prepared By	JC		

PRODUCT SPECIFICATION	
Category	Pathway
Item Number	9225
Stock Code	FX10PWY18SW/42/8CCT3/BZ/T5/347
Mounting	Ground Mounting
Housing Color	Bronze

PICTURE

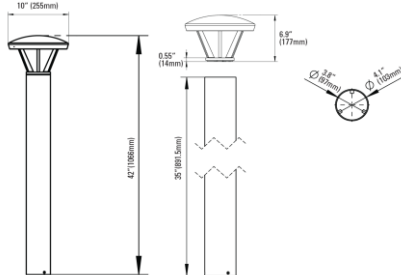


ELECTRICAL CHARACTERISTICS			
Rated Wattage (W)	10/15/18	Replacement Wattage (W)	100
Tested Wattage (W)	10/15/18		
Input Voltage (V)	120-347V		
Voltage Frequency (Hz)	50/60	Surge Protect Level	10KV
Input Current (A)	0.16	Dimmable	0-10V
Power Factor	>0.9	AUX (12V) Line	Yes
THD	<20%		

PHOTOMETRIC CHARACTERISTICS			
Lumen (lm)	1,474	CCT (K)	3CCT (30/40/50K)
	1,800		
	2,305		
Efficacy (lm/w)	128	Beam Angle (°)	Type 5
CRI	>80		

GENERAL CHARACTERISTICS	
Operating Temperature (°F)	-40°F ~ 122°F
Storage Temperature (°F)	-40°F ~ 140°F
IP Rating	IP65
Rated Life (Hrs)	50,000
Warranty (Yrs)	5

ACCESSORIES		
Item #	Stock Code	Description
P10519	REC-Z10-BK	Z10 receptacle base with black cap
P10522	SEN-ANT-6-Z10	Z10 Twist-lock PIR Motion Photocell
P10519	REC-Z10-BK	Z10 receptacle base with black cap
10520	SEN-ANT-5-Z10-PC	Z10 Twist-lock Photocell 12-24Vdc White
P10519	REC-Z10-BK	Z10 receptacle base with black cap
P10488	MW-PSC-ZKV-WCM-100-BLE-SR	Bluetooth controller 0-10V, 12-24Vdc, Z10 Brown
P10316	SEN-BRI-RC100	Remote Programmer

PRODUCT DIMENSIONS		
Width- in / (mm)	10" / 255	
Height- in / (mm)	42" / 1066	
Depth- in / (mm)	4.1" / 103	
EPA (ft²)	-	
Weight (lbs)	10.65	
Mounting Height (ft)	-	
Cable Length (ft)	-	

CERTIFICATIONS			
UL/ETL	ETL/cETL	CEC	
NSF/ETL Sanitation		JA8	
Energy Star		FCC	✓
DLC	5.1 Premium	RoHs	✓

DOCUMENTS			
LM79	✓	IES File	✓
LM80	✓	Dimmer List	

COMMENTS